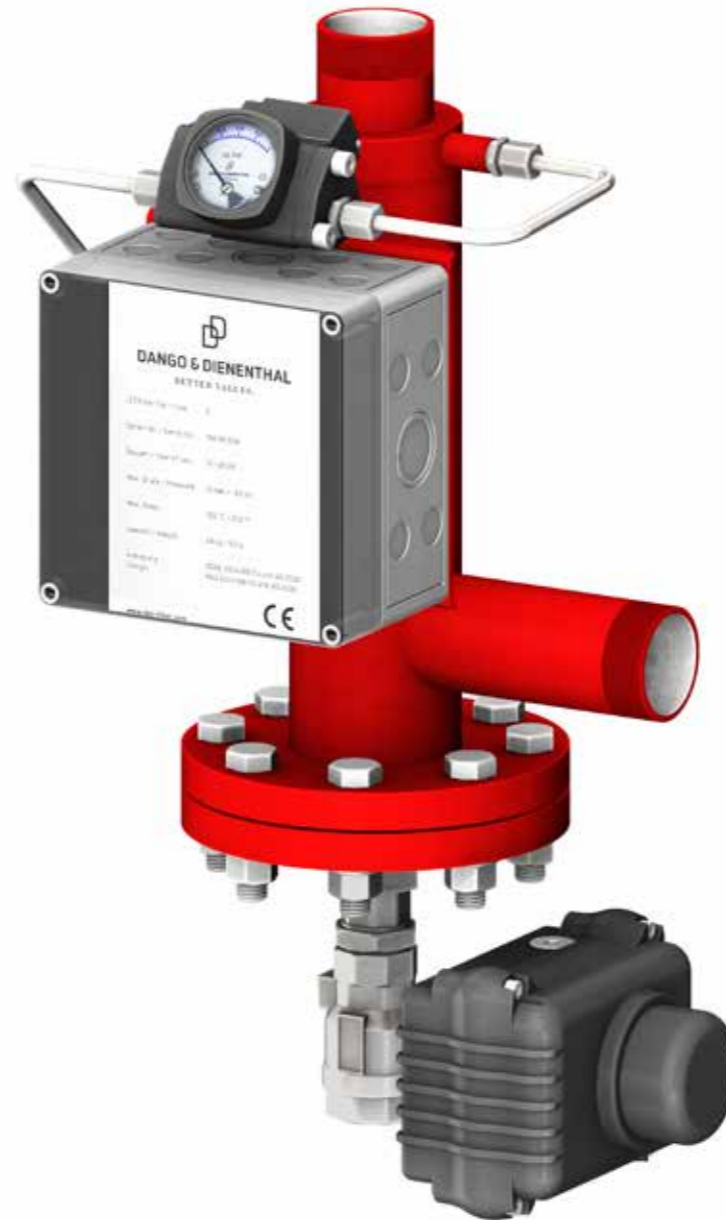


JET FILTER S

COMPACT AUTOMATIC FILTER WITHOUT ANY MOVING PARTS



DANGO & DIENENTHAL
BETTER VALUES.

EN

JET FILTER S (JET-S)

COMPACT AUTOMATIC FILTER WITHOUT ANY MOVING PARTS

Due to its electronic controller, the JET Filter S is immediately ready for use as a complete module. The filter element can be exchanged without removing the filter. It is suitable for universal use in practically all areas of application.

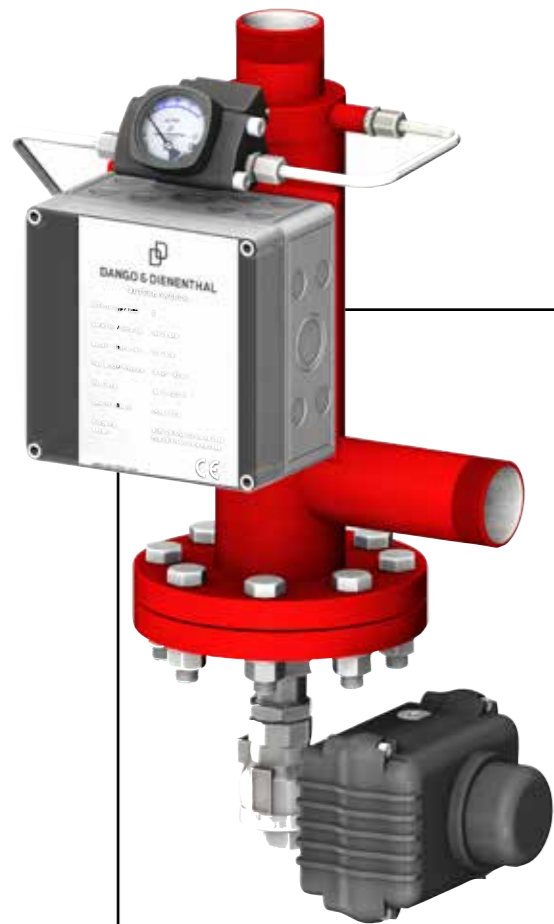
FILTER HOUSING

Standard design	Stainless steel, plastic
Seawater-resistant design	Stainless steel, plastic

TECHNICAL DATA

Flow rate	max. 125 m³/h
Filter fineness	≥ 50 µm
Operating pressure	1.5 to 25 bar
Pressure loss with clean filter	0.1 to 0.3 bar
Flanges	2"(*) to DN 150
Temperature	-10 to +110°C
Automatic cleaning	Yes

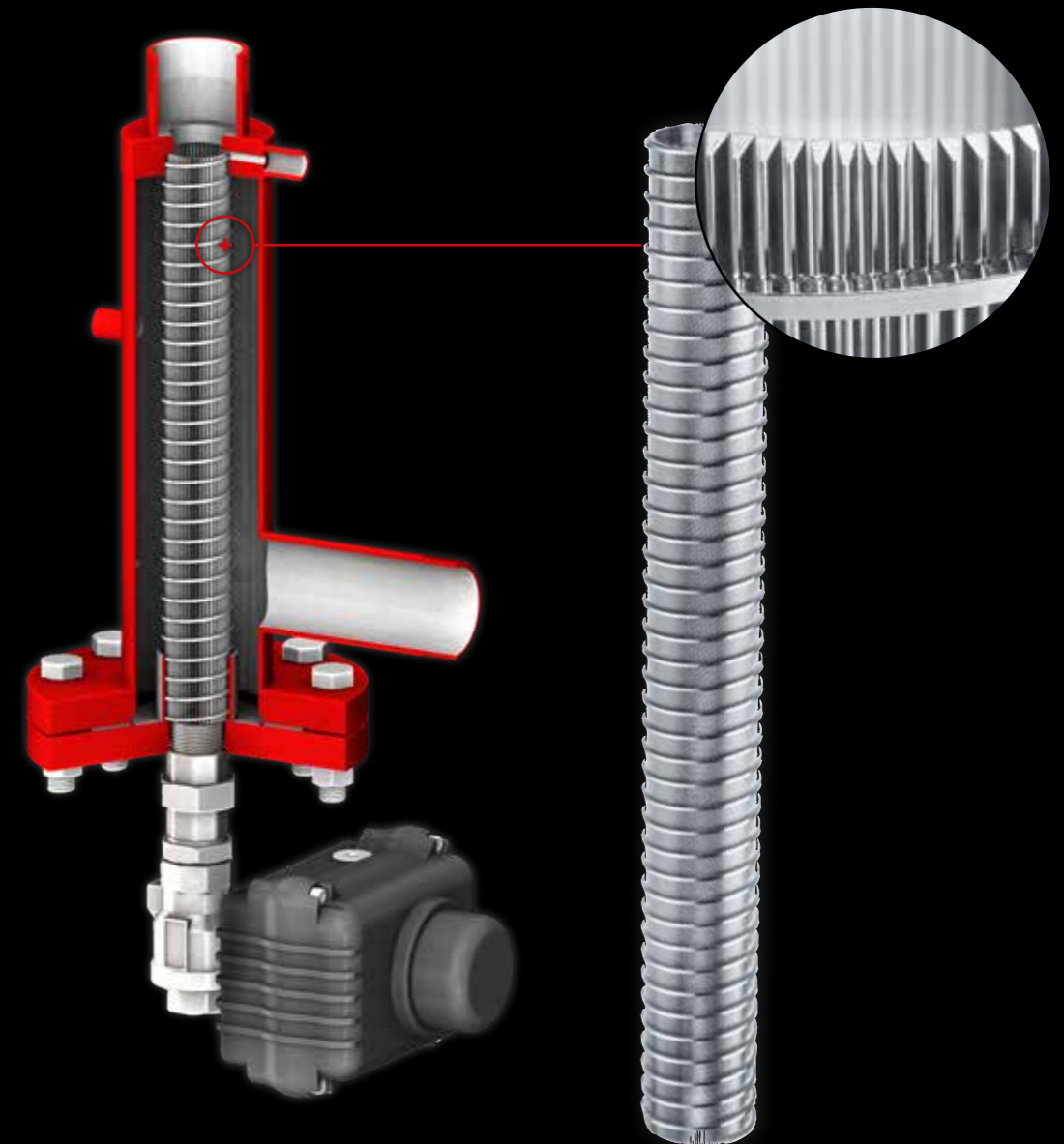
* Flange connection DN 50 optionally available



ADVANTAGES

- ⊙ High cleaning speed (up to 10 m/s)
- ⊙ Any installation position (horizontal/vertical)
- ⊙ Easy installation
- ⊙ Low wear and tear
(no moving parts in the filter)
- ⊙ Low flushing water losses
- ⊙ No increase in differential pressure during filter operation
- ⊙ Diversity of materials
- ⊙ Completely wired and tested unit
- ⊙ Special design solutions for special customer requirements

FILTER ELEMENT

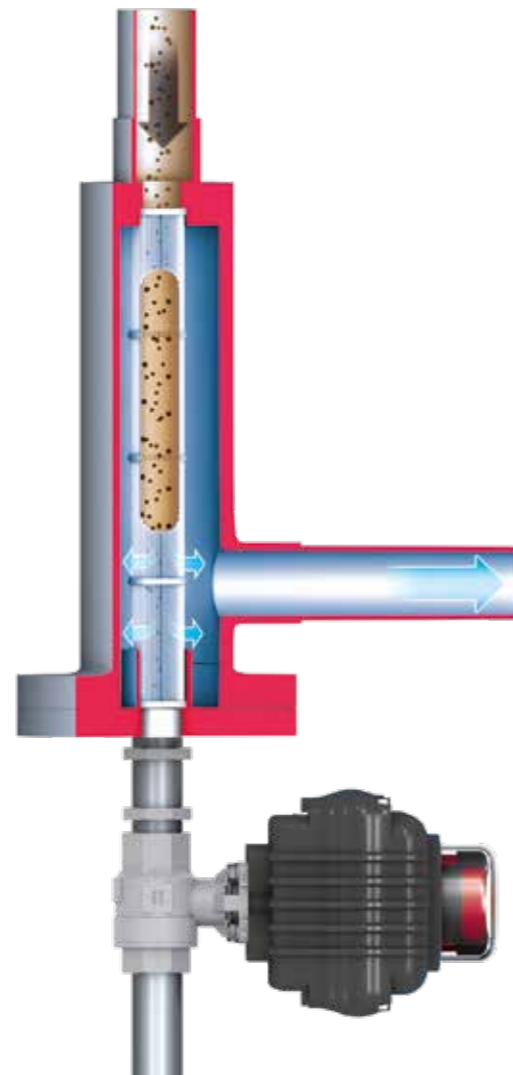


THE FILTER CARTRIDGE

- ⊙ Based on welded stainless steel triangular rods
- ⊙ Axial gaps for optimal filter element cleaning
- ⊙ Highly robust design
- ⊙ Can be manufactured in various stainless steel grades
- ⊙ Filter fineness ≥ 50 µm

The filter elements have a long-lasting stainless steel design for maximum durability.

FILTRATION



The raw water flows through the inlet opening, entering the filter element located behind it. The reductions in cross-section bring about a proportional increase in the axial flow velocity in the filter element of 5-7 m/s.

The raw water is filtered according to Bernoulli's law in the last third of the filter element. The raw water flows through the filter element from the inside to the outside. The clean water exits the JET Filter S through the clean water nozzle on the side of the filter.

The axial flow velocity in the filter element of 5-7 m/s guides the dirt particles into the dirt collection container. The filter backwash process is initiated by the differential pressure (the pressure difference between the raw and clean water side).

In addition, an adjustable timer in the electrical control system enables the filter backwash process.



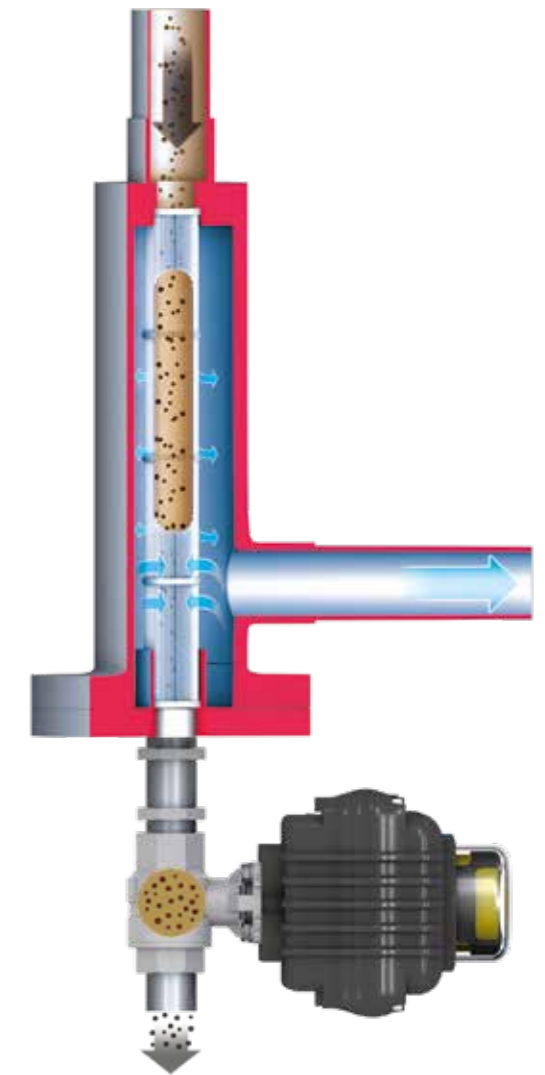
THE NEW DEFINITION OF PURITY FOR YOUR MEDIUM:

- ⊙ Cooling water
- ⊙ River water
- ⊙ Seawater & ballast water
- ⊙ Sinter & scale water
- ⊙ Process water
- ⊙ Oils & emulsions
- ⊙ Mussels & mussel larvae infested waters
- ⊙ Drinking water
- ⊙ Effluent water

OUR FILTER SYSTEMS PROTECT:

- ⊙ Plate heat exchangers
- ⊙ Spray nozzles
- ⊙ Piping systems
- ⊙ Mechanical seals
- ⊙ Pumps
- ⊙ Microfiltration systems
- ⊙ The environment
- ⊙ Final products

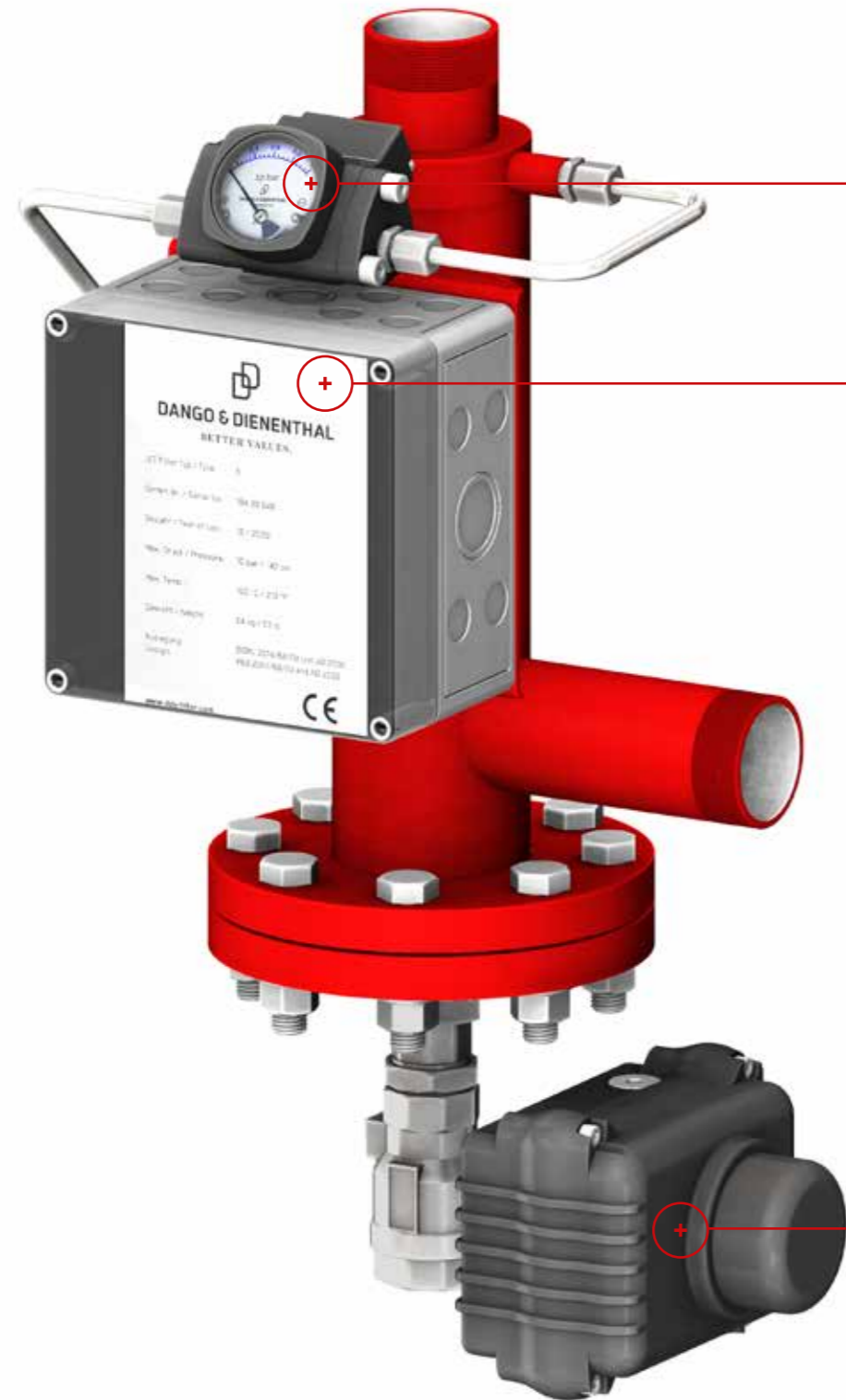
BACKWASH PROCESS



At the start of filter cleaning, the motor-driven backwash valve opens. A small amount of the raw water then flows through the backwash opening. This flushes the dirt particles in the dirt collection container out of the filter. During backwashing, the axial flow velocity in the filter elements increases to up to 10 m/s. This high axial velocity additionally cleans the filter element. Furthermore, a vacuum is generated in the filter element, which guarantees that backwashing proceeds from the outside to the inside with clean water.

The backwashing process is complete after 10-20 seconds and the backwash valve is then closed automatically. Filtration is not interrupted during backwashing.

FILTER COMPONENTS



DIFFERENTIAL PRESSURE MEASUREMENT

Comprising:

- ⊕ Optical display for differential pressure
- ⊕ Two preset switching contacts
- ⊕ Start of filter flushing
- ⊕ Alarm message



ELECTRICAL CONTROL SYSTEM

The backwash process is initiated depending on time and/or differential pressure, thereby enabling fully automatic filter operation.

The standard control system includes the following signal exchange with the customer process control system (PCS):

- ⊕ Collective fault
- ⊕ Ready for operation
- ⊕ Filter in flushing mode
- ⊕ External triggering of filter backwash
- ⊕ External release for filter backwash

VENTURI NOZZLE WITH BACKWASH VALVE

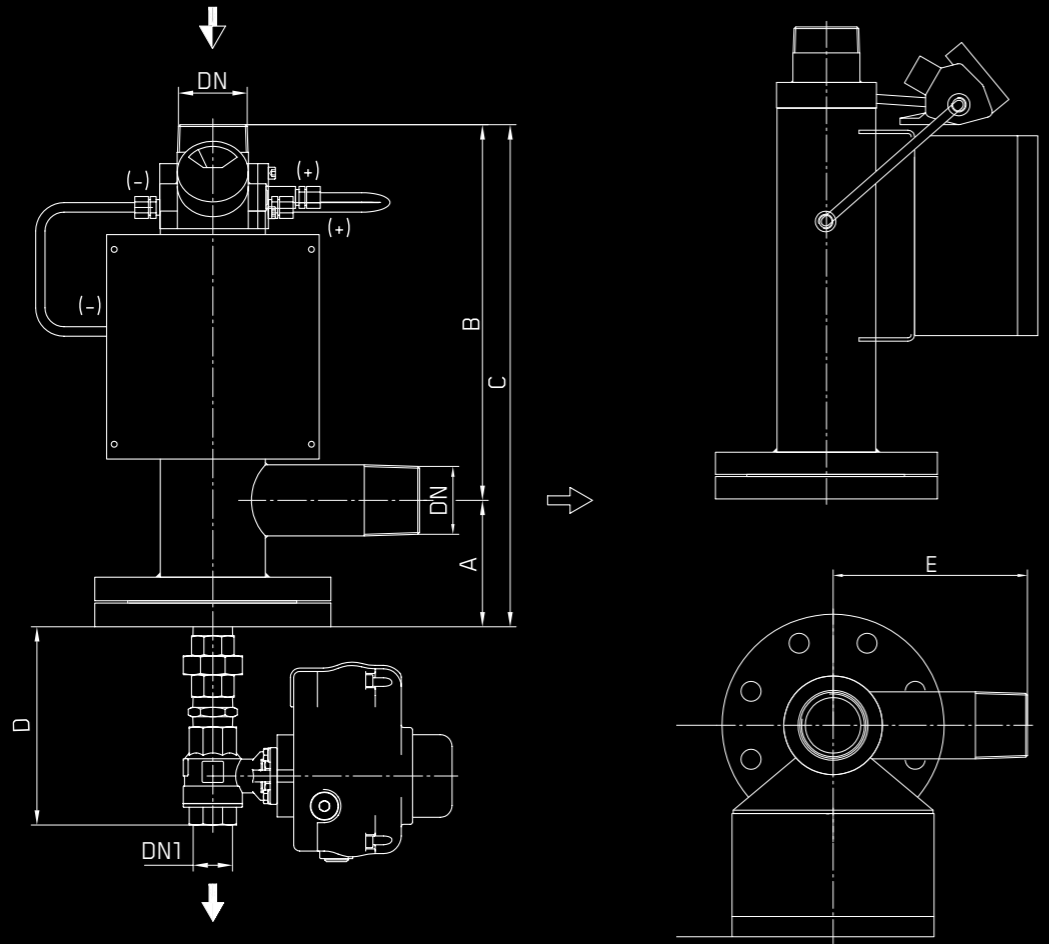
The Venturi nozzle is designed to suit the customer's operating conditions to adjust the required flushing water quantity and to prevent pressure fluctuations in the pipe network. The backwash valve is equipped with an electric actuator as standard.



LOOKING FOR A LITTLE MORE?

JET FILTER

The JET Filter is an inline filter without any moving internal parts. Its patented design enables very high flow rates, a high diversity of materials, and flexible installation in pipework.



FILTER HOUSING

Standard design	Galvanized steel, steel-coated
Seawater-resistant design	GFRP, rubberized steel covering, stainless steel
Special design	PP, PE, PVC

TECHNICAL DATA

Flow rate	max. 25,000 m³/h
Filter fineness	≥ 50 μm
Operating pressure	1.5 to 63 bar
Pressure loss with clean filter	0.1 to 0.3 bar
Flanges	DN 50 to 3,000
Temperature	-10 to +110°C
Automatic cleaning	Yes
Inline design	Yes

TYPE/ DN	DIMENSIONS IN MM						DN1	WEIGHT IN KG
	A	B	C	D	E	F		
2"(*)	107	318	425	168	175	190	1"	24
80	182	340	522	185	180	203	1½"	40
100	172	470	642	185	200	203	1½"	43
150	222	584	806	185	225	230	1½"	62

* Flange connection DN 50 optionally available

FILTER SIZE

The filter size depends on the throughput capacity, the filter fineness, the acceptable pressure drop, and the degree of contamination of the raw water.

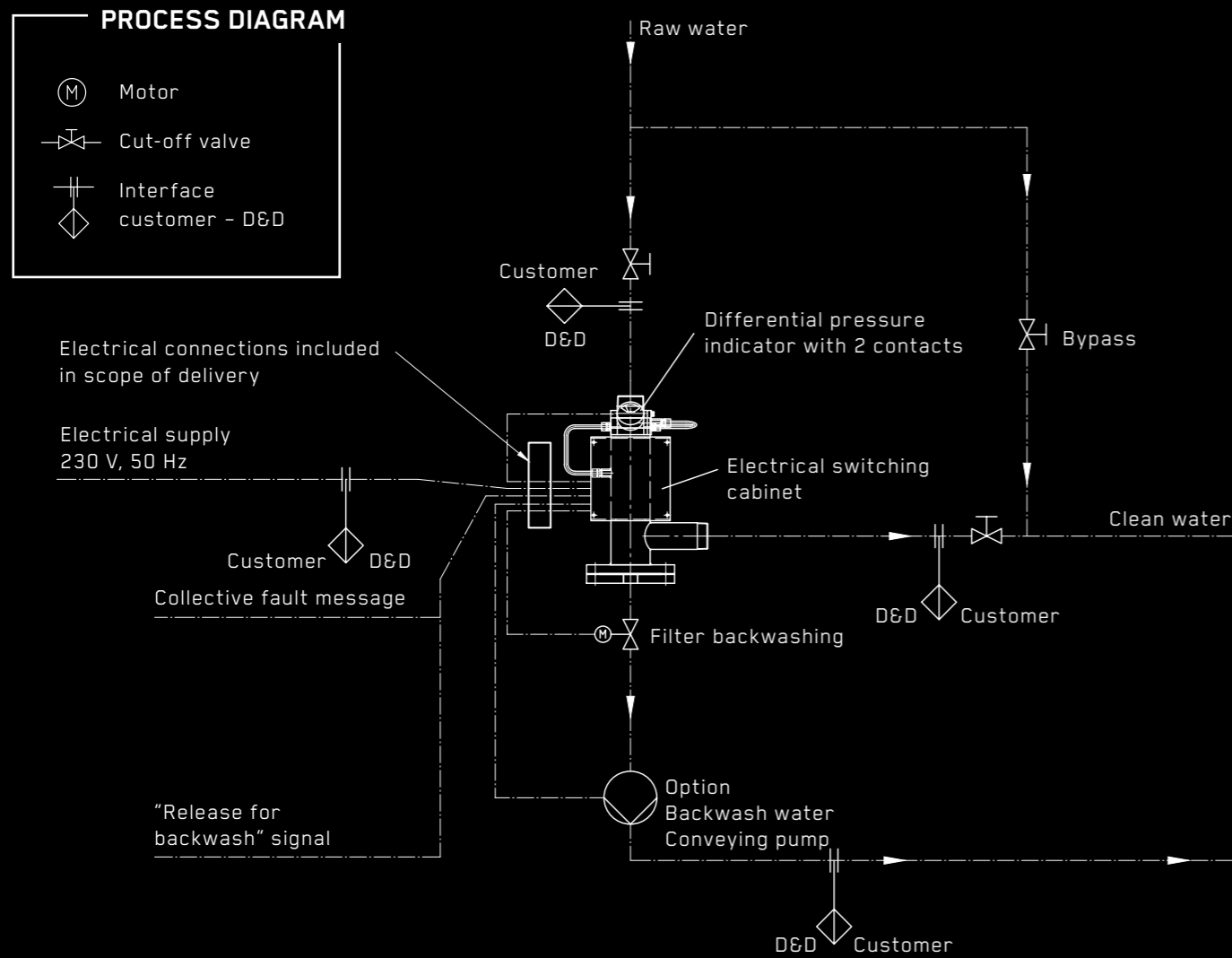
NOW IT'S UP TO YOU

To prepare a quotation, we need your operating data. Complete the questionnaire for filter projects and send it to us by e-mail:
www.dds-filter.com/en/downloads/



ADVANTAGES

- ⊙ High cleaning speed (up to 10 m/s)
- ⊙ Any installation position (horizontal/vertical)
- ⊙ Easy installation (inline design)
- ⊙ Low wear and tear (no moving parts in the filter)
- ⊙ Low flushing water losses
- ⊙ No increase in differential pressure during filter operation
- ⊙ Diversity of materials
- ⊙ Completely wired and tested unit
- ⊙ Special design solutions for special customer requirements



SHAPE BETTER VALUES

CLOSER. BETTER. SIMPLER.

We make sure that you get the filter that is perfectly suited to your application. Our engineering office will design the filter to match your operating parameters. This allows us to adapt our product to your specific use.



EXPERIENCED PARTNER

All DANGO & DIENENTHAL filters are handled by our specially qualified and regularly trained staff. Both our mechanical production and assembly departments have extensive expertise.



CERTIFIED TESTING

Our certified quality management system enables seamless monitoring and control of all production steps. This ensures early detection and troubleshooting, enabling us to offer you a high level of quality.



THE TEAM AT YOUR SIDE

If you require staff for training or maintenance at your company, don't hesitate to contact us. Our specially qualified employees will be happy to assist you.



IDEAL PRODUCTION CONDITIONS

We have been producing filters in our factory in Siegen, Germany, since 1941. Our continuously improved, state-of-the-art range of machinery and modern factory buildings provide an environment that is essential for manufacturing high quality products.

TECHNICAL INFORMATION

SCOPE OF DELIVERY

- ⊙ 230 V voltage
- ⊙ Pressure Equipment Directive (PED)
- ⊙ ASME*
- ⊙ Differential pressure measurement
- ⊙ Differential pressure as 4-20 mA signal*
- ⊙ Automatic filter control system
- ⊙ Backwash with own medium
- ⊙ Backwash with suction pump*
- ⊙ Electrical flushing valve
- ⊙ Signal exchange with PCS
- ⊙ Cabling including plug
- ⊙ Documentation
- ⊙ Certificates*
- ⊙ Function test in the manufacturer's factory

* Available at extra cost

WE ARE THERE TO ASSIST YOU

+49 271 401 4123

Or by e-mail: post@dds-filter.com

Monday-Friday:

You can find us at the following address:

8:00 a.m. - 4:00 p.m. (CET)

Hagener Str. 103

(except for holidays)

57072 Siegen, Germany



WWW.DDS-FILTER.COM